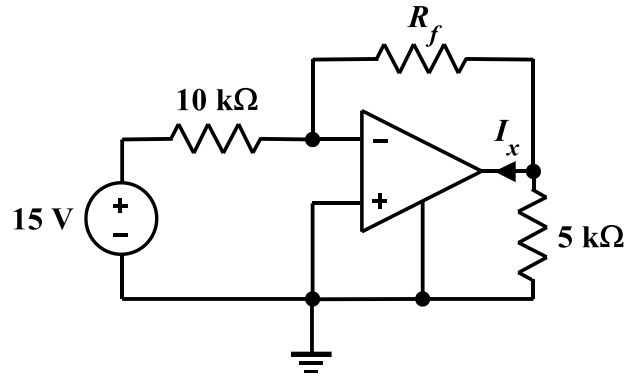


EE 2240  
**Homework Problem #054**



The OpAmp is ideal. Determine the value of  $R_f$  that will yield  $I_x = 2 \text{ mA}$ .